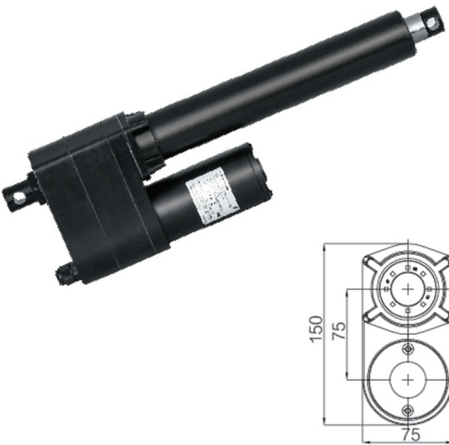
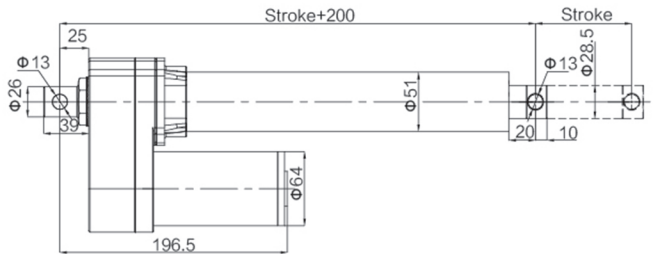


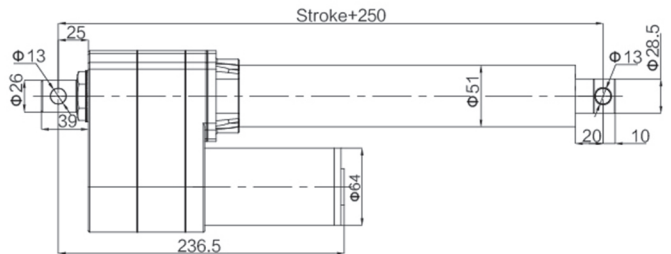


Installation Dimension

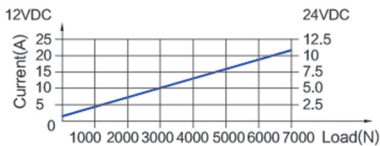


Built in Potentiometer or Hall (Optional)

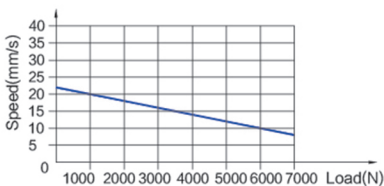
Installation Dimension



Load VS Current



Load VS Speed



I Specifications

Input Voltage	48V / 36V / 24V / 12V DC
Load Capacity	7000N
Max Speed	5mm/s (7000N), 67mm/s (750N)
Stroke	Customize
Type of Duty	10%, 2min. on / 18min. off
Limit Switches	Inner
Operation Temperature	-15°C ~ 65°C
Protection Class	IP65